

ARM-A-DOR™

Low Profile Kit Installation Guide

Low Profile Kit is used with Arm-A-Dor for door jamb depth greater than 6 3/4". Before installing ARM-A-DOR, verify all parts are included in the box per Table I, Table II and Figure I.

Figure I

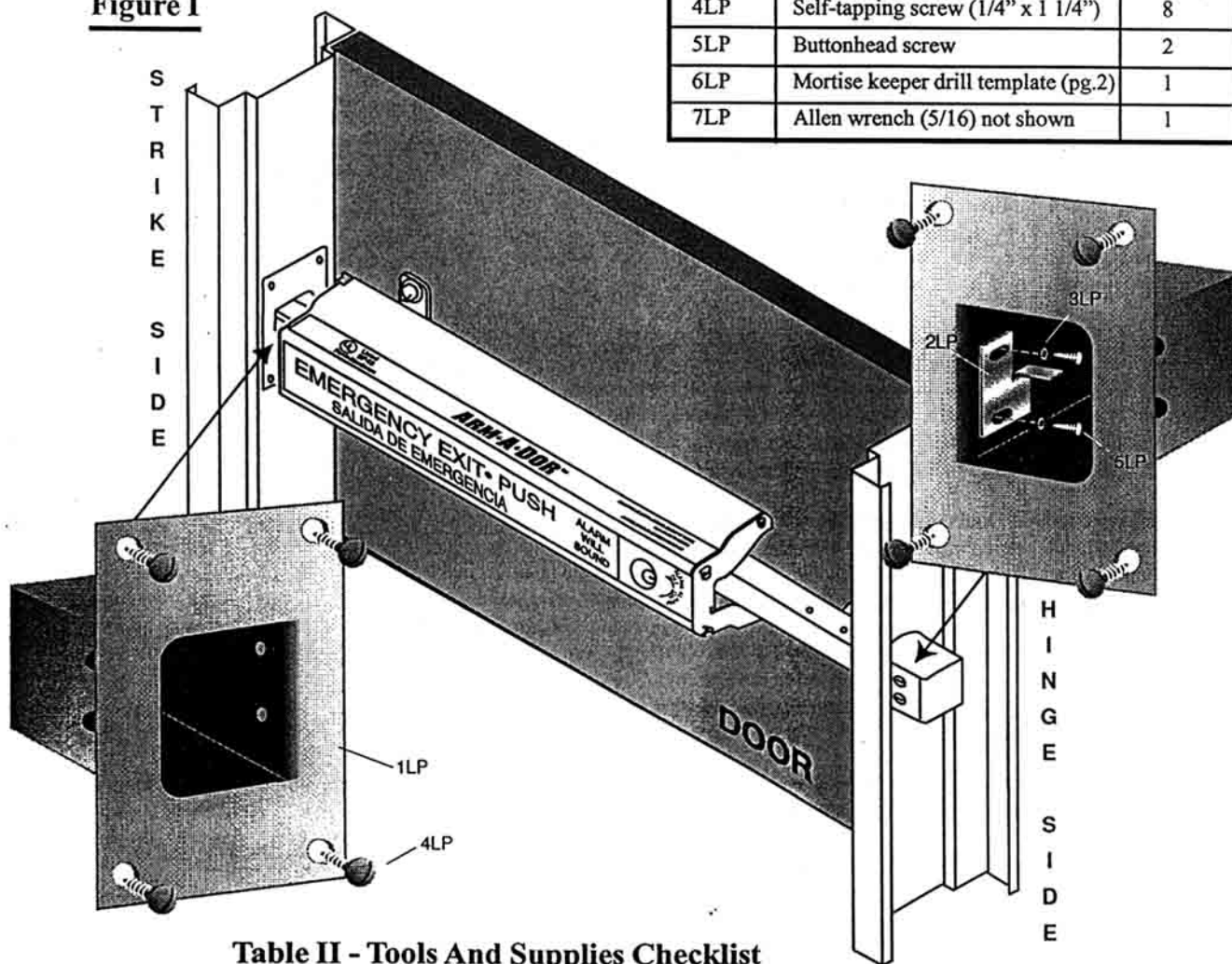


Table I - Parts Checklist

Part No.	Part Description	Quantity
1LP	Mortise keeper	2
2LP	Release angle	1
3LP	Star lock washer (#6)	2
4LP	Self-tapping screw (1/4" x 1 1/4")	8
5LP	Buttonhead screw	2
6LP	Mortise keeper drill template (pg.2)	1
7LP	Allen wrench (5/16) not shown	1

Table II - Tools And Supplies Checklist

• 3 1/4" hole saw (metal capable)	• 1/4" masonry drill bit
• 1/8" nut driver for power drill	• 3/16" drill bit
• 5/64" allen wrench	• chisel

Installation

1. Locate the Mortise keeper drill template (part no. 6LP).
2. Position the template on the inside of the frame using the marked centerline and edge line on the locking side of the door. Use the magnets (from the main installation kit, if no magnets then use tape) to secure the template on the doorframe.
3. **IMPORTANT!** Align centerline of template with horizontal centerline of the Arm-A-Dor mounting.
4. Mark the center of the pilot hole and the mounting holes using a center punch.
5. Remove the template.

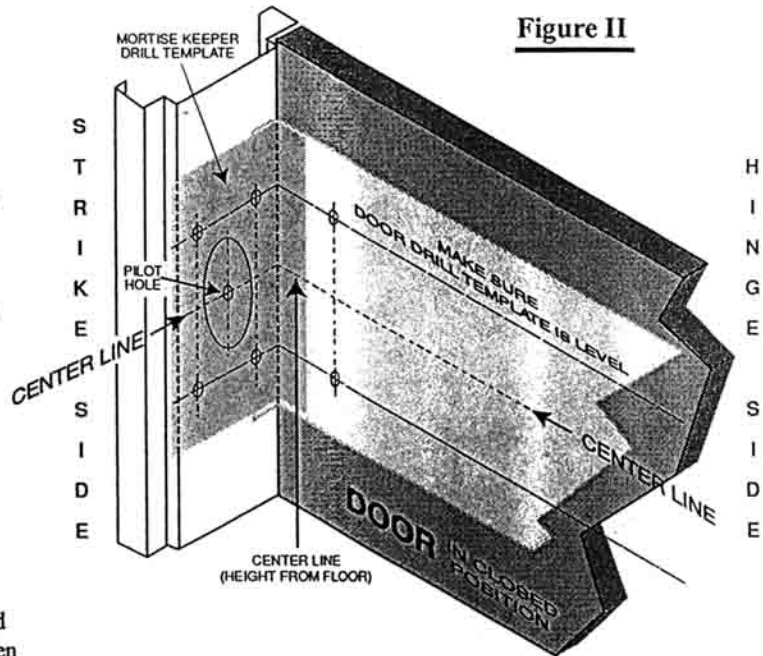


Figure II

6. On hinged side of door position template and hold in place with magnets (or tape) and mark the holes using a center punch, and then remove template.
7. Using a 1/4" drill bit, drill a pilot hole.
8. Using a 3 1/4" hole saw, drill the clearance hole for the mortise keeper (part no. 1LP) in both sides of the door frame. If the frame is filled with concrete, you need to drill pilot hole using a 1/4" masonry bit and hammer drill. Remove the concrete with a hammer and chisel.
9. On the hinged side of the door, position the release angle (part no. 2LP) and insert it with the tab to the rear of the inside of the mortise keeper (Reference Figure III). Attach it with two screws (part no. 5LP) and lock washers (part no. 3LP) using an allen wrench.
10. Insert the mortise keeper into the hole, using a 3/8" nut driver and drill, attach it to the door frame using the four (4) self-tapping screws (part no. 4LP). Drill slowly to avoid stripping or overtightening of screws.
11. Insert the other mortise keeper in the opposite side of the door frame and repeat steps 5 - 8 (without using the release angle).
12. Adjust so that the extension rod contacts the release angle and relocks the unit each time the door closes.

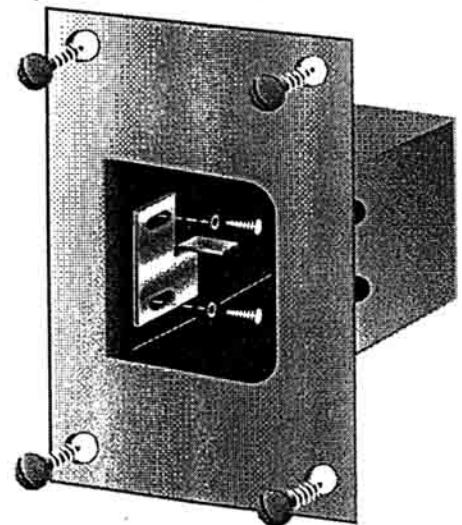


Figure III



© Sargent & Greenleaf, Inc.

Corporate Headquarters
One Security Drive, Nicholasville, KY.40356 USA.