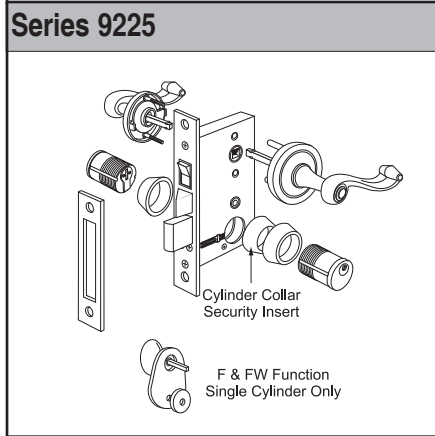
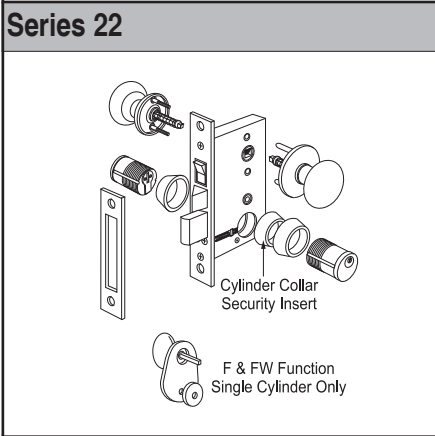
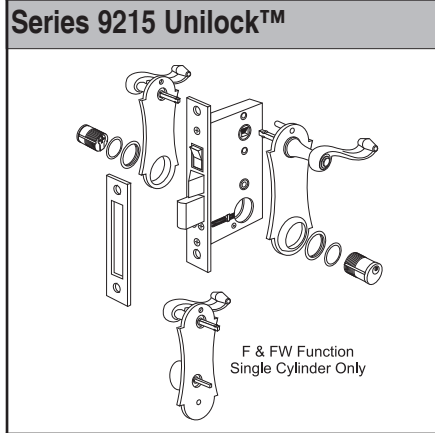
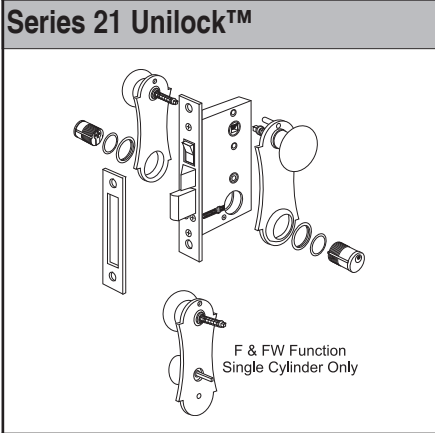


# ORNAMENTAL IRON

Ornamental Iron



### Standard Features SERIES

<ul style="list-style-type: none"> <li>• Thru-bolted solid brass trim assemblies</li> <li>• Spring loaded captivated spindles</li> <li>• Reversible mortise lock 1" backset</li> <li>• 1" bolt, 1/2" latch projection</li> <li>• Cylinder: Marks "A" keyway, 5 pin w/ 2 keys; keyed alike - 6</li> </ul>	<b>2750</b> THINLINE®		
	<b>FINISH GROUPS</b>		

MARKS #	FUNCTION	3	10B	5, 26D
---------	----------	---	-----	--------

### KEYED WITH DEADBOLT

B	ENTRANCE CYLINDER x TURNPIECE	207	261	233
C	ENTRANCE DOUBLE CYLINDER			

### DUMMY TRIM

DT	FULL DUMMY	125	174	145
----	------------	-----	-----	-----

**ORNAMENTAL IRON LOCKSETS PACKED 6 PER CASE**

OPTIONS - Series 2750		CODE	PRICE
For 1-3/4" doors		D4	NC
Marks "C" keyway		G5	16

Standard Features		SERIES 21 UNILOCK™			SERIES 9215 UNILOCK™		
<ul style="list-style-type: none"> <li>• Door thickness: 1"</li> <li>• Series 9 lock body, Backset: 2-1/2"</li> <li>• Reversible mortise lock 1" bolt, 1/2" latch projection</li> <li>• Lock front: 1" x 7-1/8"</li> <li>• Thru-bolted solid brass trim assemblies</li> <li>• Spring loaded captivated spindles</li> <li>• Cylinder: Marks "A" keyway, 5 pin w/ 2 keys; keyed alike-6</li> </ul>							
		SERIES 22			SERIES 9225		
		<b>FINISH GROUPS</b>					
MARKS #	FUNCTION	3	10B	5, 26D	3	10B	5, 26D
<b>KEYED SINGLE CYLINDER, WITH DEADBOLT</b>							
DW	SINGLE CYL. PANIC PROOF						
F	SINGLE CYL. PANIC PROOF	264	318	282	357	405	376
FW	SINGLE CYL. PANIC PROOF						
<b>KEYED DOUBLE CYLINDER, WITH DEADBOLT</b>							
AC	ENTRANCE	233	290	251	327	376	345
<b>DUMMY TRIM</b>							
DT	FULL DUMMY	151	214	163	251	307	264
<b>ORNAMENTAL IRON LOCKSETS ARE PACKED 6 PER CASE</b>							

OPTIONS	CODE	PRICE
Lock Front: 1" x 7-1/8" standard	W	NC
Mushroom knob interior; 1-7/8" prj.	A9	5
For 1-3/4" doors	D4	NC
Adjustable spring collars	F10	5

How To Order Example for Ornamental Iron Locksets					
9215	C	/	10B	-	D4
1. Lock Series	2. Marks Function	Slash	3. Finish	Dash	4. Options
<b>LOCK SERIES</b> (Pgs. 49 & 50)	<b>MARKS FUNCTION</b> (Pgs. 57-58)		<b>FINISH</b> (Pg. 10)		<b>OPTIONS</b>
<input type="checkbox"/> 21 <input type="checkbox"/> 2750 <input type="checkbox"/> 22 <input type="checkbox"/> 9215	— B — AC — C — DT — F — DW		<input type="checkbox"/> 3 <input type="checkbox"/> 10B <input type="checkbox"/> 5 <input type="checkbox"/> 26D		<input type="checkbox"/> Special Specify • Keying • Handing • Door Thickness